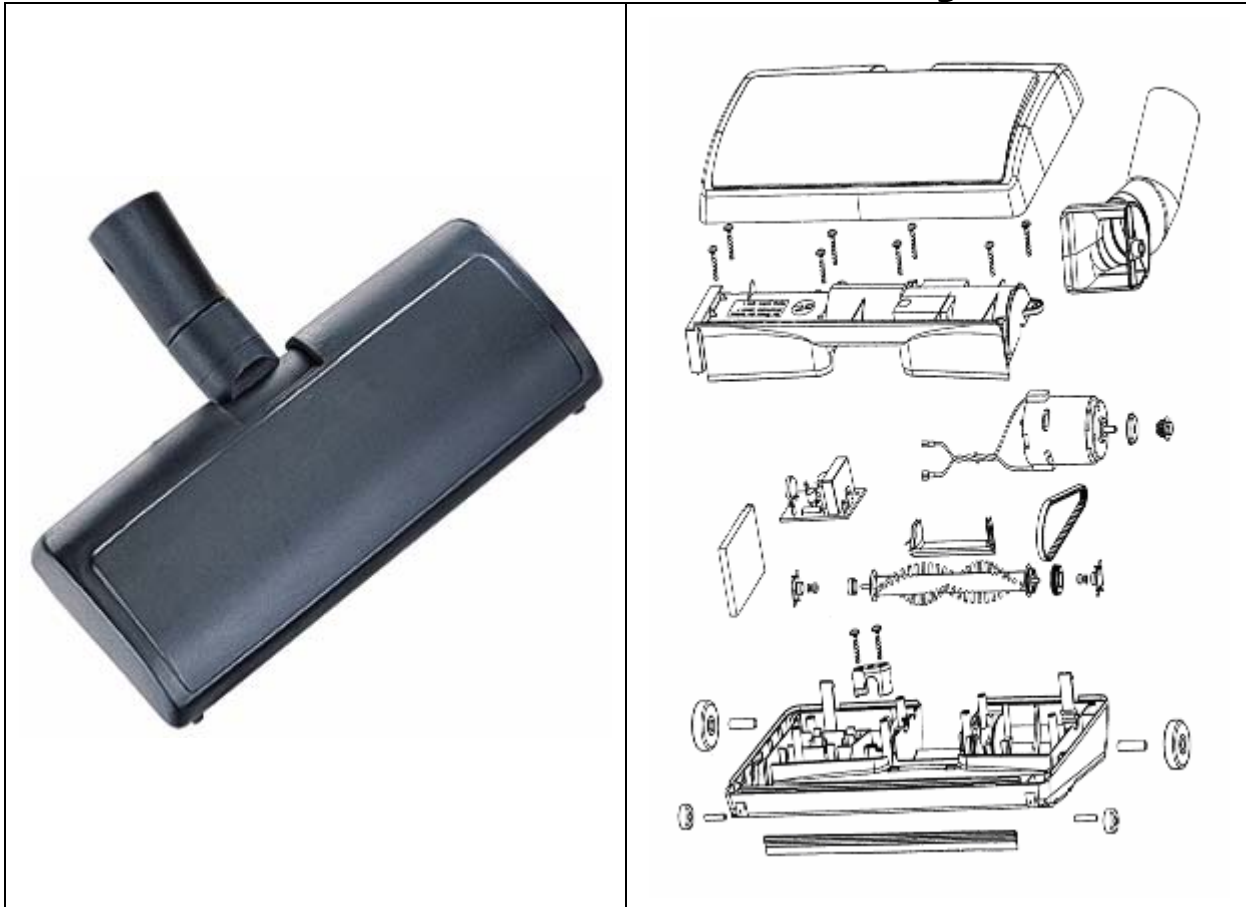


# NILFISK®

## SE10M - EBK 280 Powerhead

Made in Germany



### Parts List

Part Number	Description	LIST
12.1 829-03	Top Cover-Black	\$15.00
12.9 282-03	Motor -120 volt	\$60.00
19.2 235-21	Circuit Board – 120 volt	\$30.00
19.2 964-01	Belt	\$6.00
10.7 005-300	Brush Roll	\$40.00
12.1 831-50	Bottom Cover	\$15.00
12.4 041-01	Front Wheel	\$2.00
12.4 042-01	Back Wheel	\$2.00
12.4 108-03	Front Axle	\$0.50
12.4 117-02	Back Axle	\$0.50
12.1 848-01	Squeegee Blade	\$2.00
12.7 101-18	Standard Neck	\$20.00
10.7 028-301	Quick Disconnect Neck	\$60.00
CH-PL4746-305	Telescoping Chrome Wand	\$30.00
12.1 840-01	Drive Gear	\$5.00