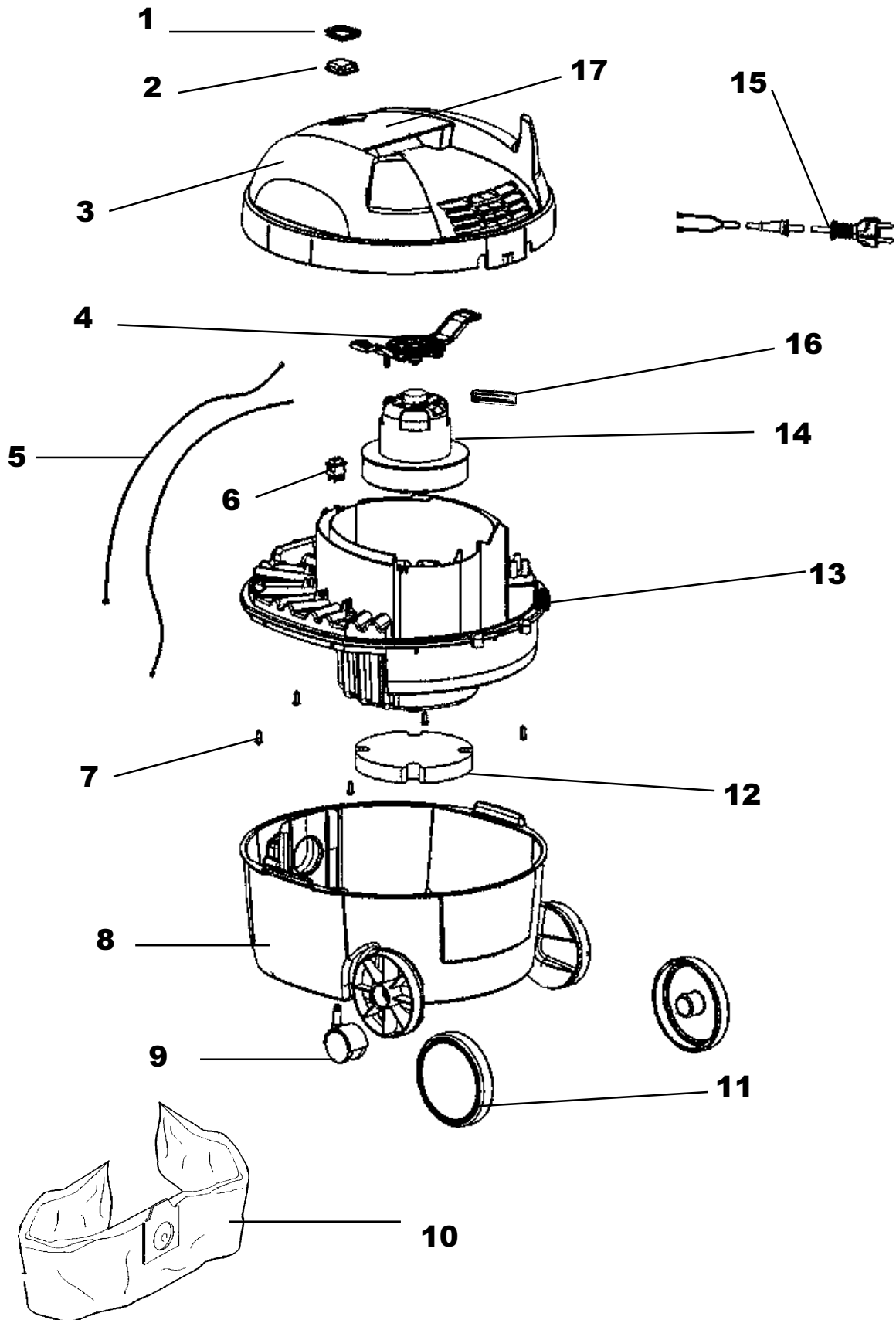
**DESCRIPTION****PLAN**

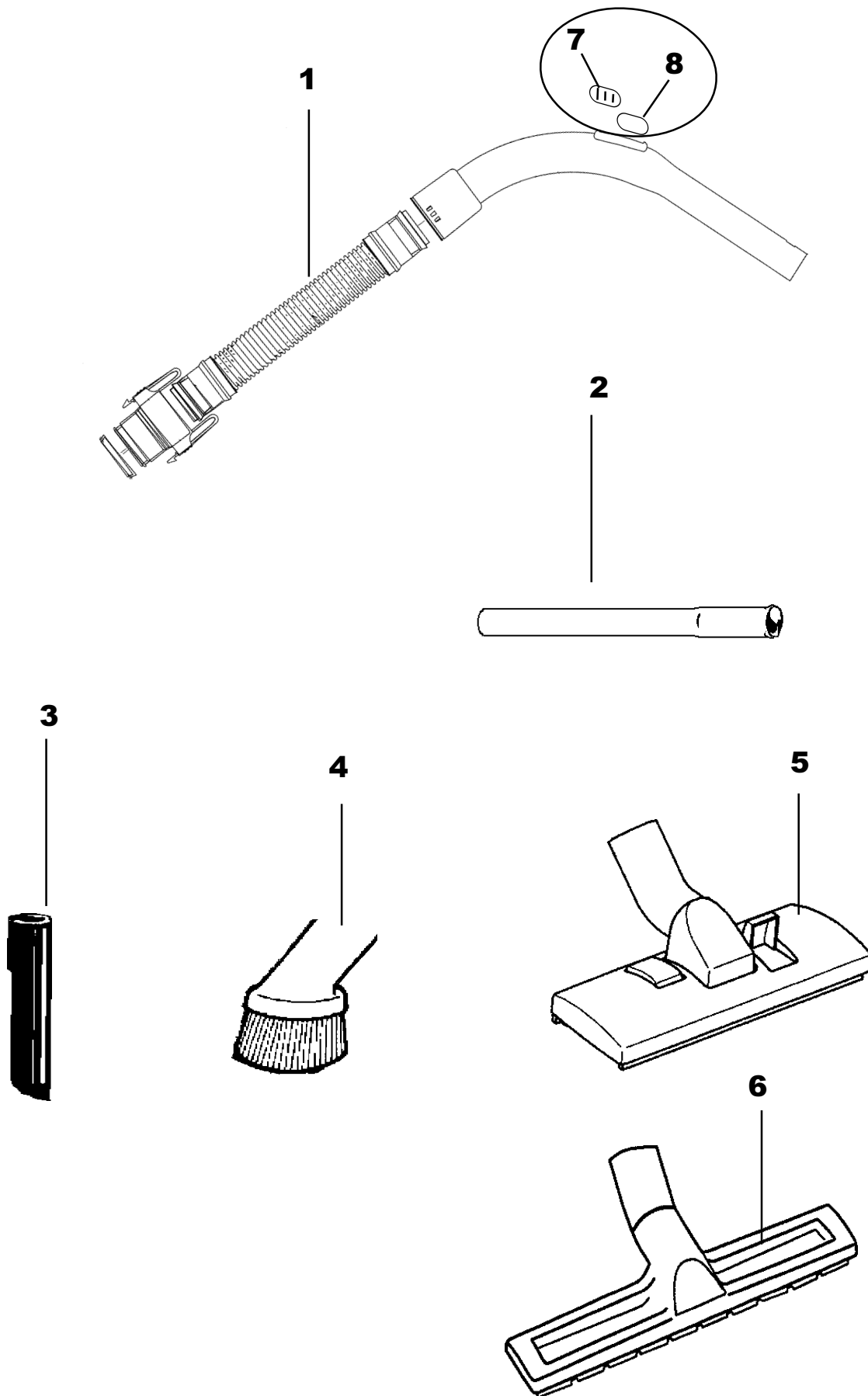
DESCRIPTION	PLAN
Viking, line drawing machine	B - 3.6.1 - 2
Viking, part numbers machine	B - 3.6.1 - 3
Accessories, line drawing	B - 3.6.1 - 4
Accessories, part numbers	B - 3.6.1 - 5
Nilfisk Mop, drawing	B - 3.6.1 - 6
Nilfisk Mop, part numbers	B - 3.6.1 - 7



01-03	PARTS LIST NILFISK VIKING	BOOK B		
01-06	PART NUMBERS MACHINE	B	3.6.1	3

Item	Qty.	Part No	Description
1	1	140 7223 000	Locking ring
2	1	140 7222 040	Protection hood
3	1	140 7886 000	Top cover
	1	140 7886 010	Top cover, for US-variants
	1	140 7686 020	Top cover, yellow
4	1	140 8034 000	Motor support
	1	140 8034 010	Motor support, for US-variants
5	2	140 7040 310	Wire cpl.
6	1	140 7217 000	Switch
7	5	140 9214 040	Screw PTK Torx 40x14 mm FZB
8	1	140 7888 000	Container
9	1	140 7607 000	Castor wheel 40mm
10		140 8007 010	Dustbag Viking dry 5 pcs
		140 8007 020	Dustbag Viking dry 10 pcs
		140 7019 010	Cloth dust bag cpl.
11	2	011 5840 030	Wheel
12	1	140 8025 000	Pre-filter
13	1	140 7729 000	Chassis cpl.
	1	140 7729 010	Chassis cpl. for US-variants
14	1	140 7993 000	Fan unit 220-240V TF (Suppressor & thermo protect. incl.)
	1	140 7993 010	Fan unit 110-127V TF (Suppressor & thermo protect. incl.)
	1	140 7993 020	Fan unit 100V TF (Suppressor & thermo protect. incl.)
15	1 >>	140 8011 100	Cord set UK 10m (Protection sleeve incl.)
	1 >>	140 8011 120	Cord set EU 10 m (Protection sleeve incl.)
	1 >>	140 8011 130	Cord set CH 10 m (Protection sleeve incl.)
	1 >>	140 8011 140	Cord set US/TW/JP 10 m (Protection sleeve incl.)
	1 >>	140 8011 150	Cord set AU 10 m (Protection sleeve incl.)
16	1	140 8051 000	Carbon brush for 220-240V fan unit
	1	140 8052 000	Carbon brush for 100, 110 and 127V fan unit
17	1 >>	140 8002 000	Label, Nilfisk Viking dry
	1 >>	140 8055 000	Label, ServiceMaster

>> Means: New or changed ref. number or/and changed/new specifications

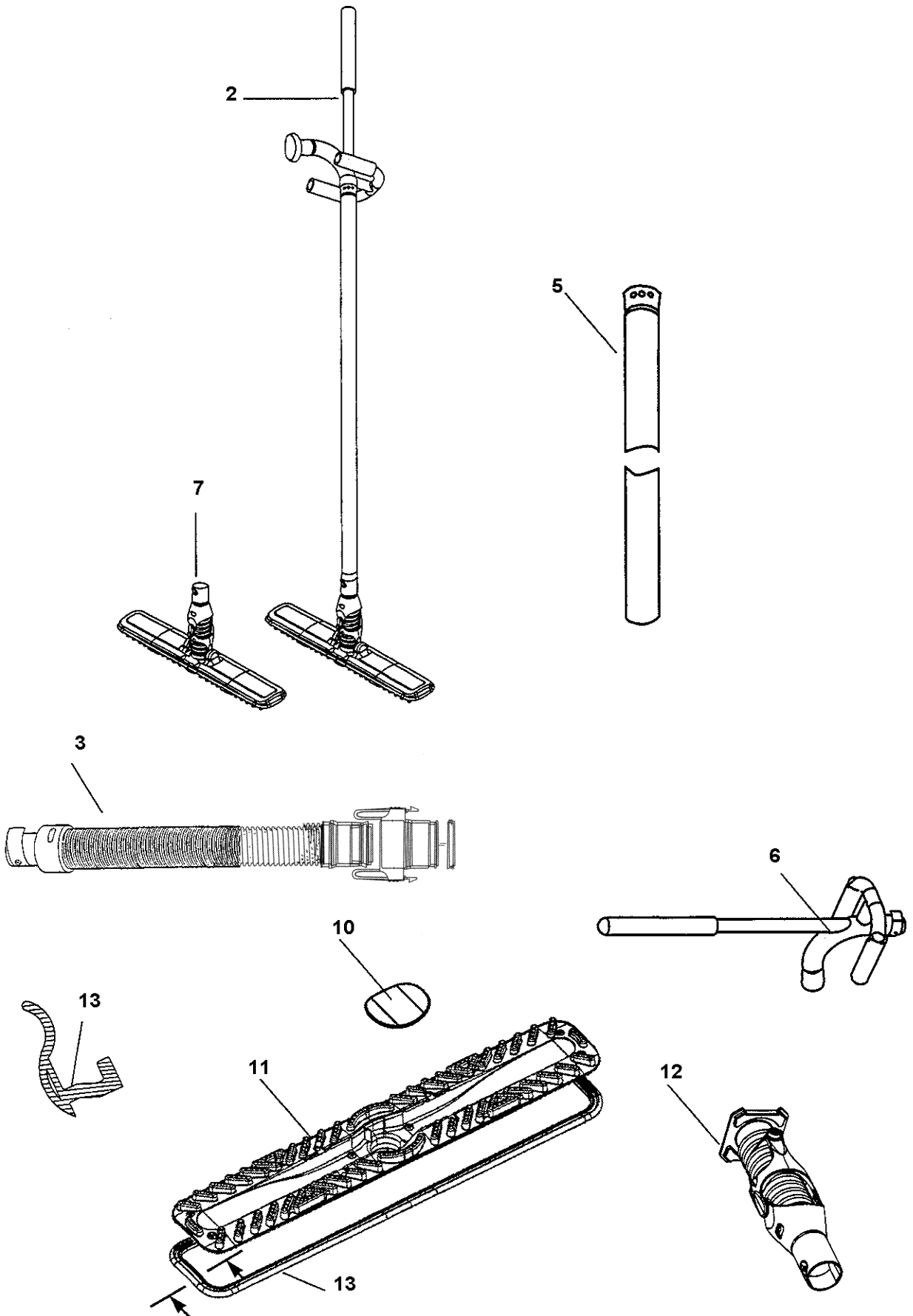


01-03	PARTS LIST NILFISK VIKING	BOOK B		
01-06	ACCESSORIES PART NUMBERS	B	3.6.1	5

Item	Qty.	Part No	Description
1	1	140 7990 020	Hose cpl. L=1.9m Ø32 mm
2	1	140 8246 040	Extension tube L=500mm Ø32 mm
	1	140 8246 050	Extension tube L=450mm Ø32 mm
3	1	140 8012 000	Crevice nozzle Ø32 mm
4	1	140 8244 000	Brush nozzle Ø32 mm
5	1	140 8003 000	Combination nozzle d 252 Ø32 mm
6	1	140 6700 010	Multi surface nozzle, d 300 brush Ø 32 mm
7	1	140 8058 000	Suction control
8	1	>>140 8060 000	Sealing

>> Means: New or changed ref. number or/and changed/new specifications.

Notes: When ordering the 140 8058 000 suction control always order the 140 8060 00 sealing as well.



01-03	PARTS LIST NILFISK VIKING	BOOK B		
01-06	PART NUMBERS NILFISKMOP™	B	3.6.1	7

Item	Ref.No.	Qty.	Description	Note	EAN code 5715492+
1	17830006	1	Mop without hose Tube length = 800mm (small) height of person = 150 -165 cm		+005529
	17830007	1	Mop without hose Tube length = 1000 mm (medium) height of person = 165-180 cm		+005536
	17830008	1	Mop without hose Tube length = 1180 mm (large) Height of person = more then 180 cm		+005543
3	140 7990 040		Hose cpl, for Viking. Plastic with coupling and muff for mop, length = 300 cm		7319519610291
5	62188100	1	Tube length 800 mm		+005895
	62188200	1	Tube length 1000 mm		+005901
	62188300	1	Tube length 1180 mm		+005918
6	62188400	1	Handle		+005925
7	22201800	1	Mop nozzle		+006892
11	22144600	1	Foot plate with fender		+005628
12	22144300	1	Flexible neck		+005635
13	22145500	1	Fender list		+007462