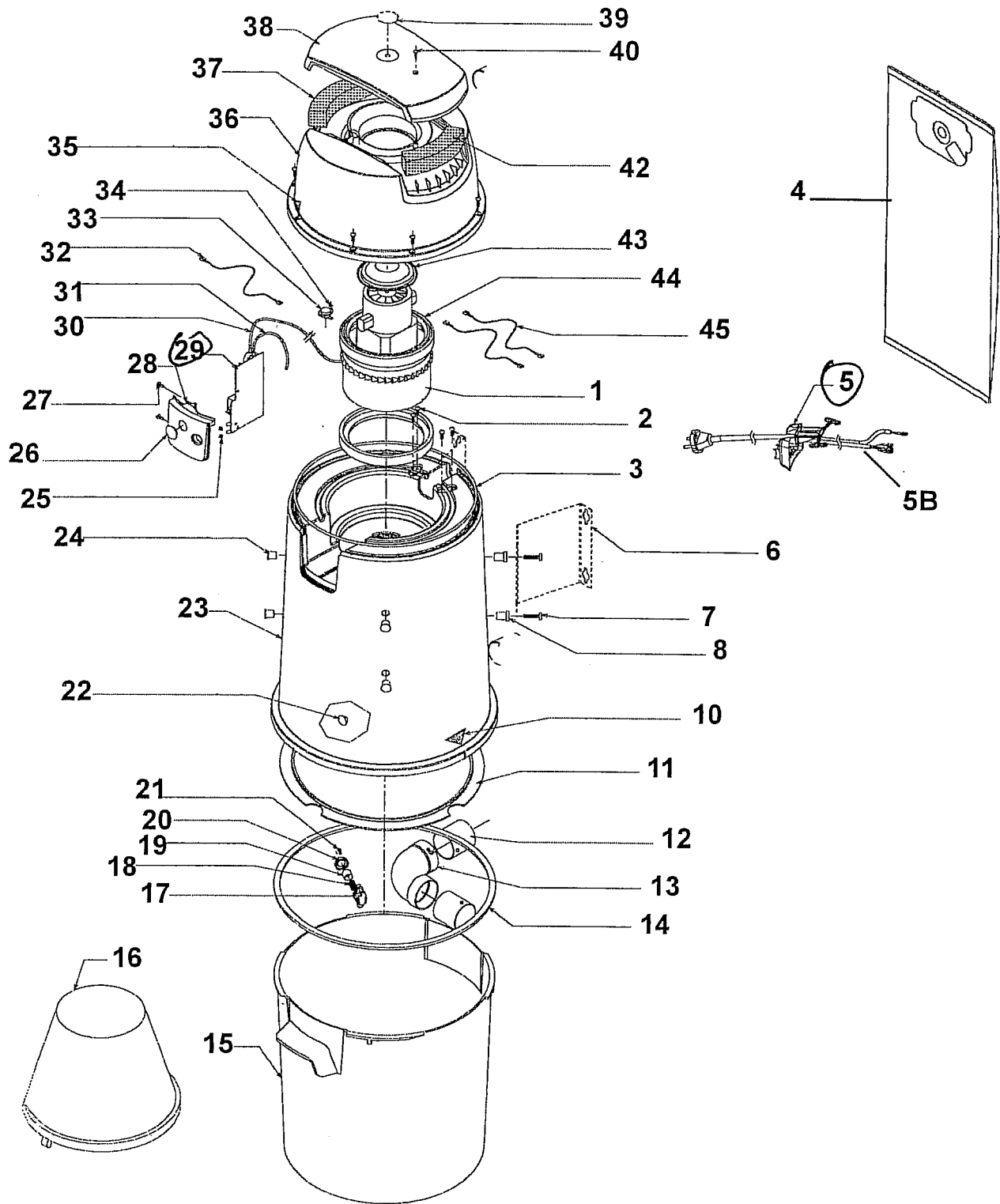


A

10.3.3

6

NILFISK PALACE CV 793



04-01	SPARE PARTS LIST	BOOK A		
05-08	NILFISK PALACE CV 793	A	10.3.3	7

Pos.	Part number	Qty.	Description	EAN-code
1	140 7154 030	1	Fan unit BP 220-240V	7319519491333
1	140 7154 040	1	Fan unit BP 120V	7319519650587
1	140 7169 500	2	Carbon brush kit	7319519633023
2	140 9214 040	1	Screw PTK Torx 40x14 FZB	7319519418606
3	140 7249 020	1	Gasket L=970	7319519504798
4	140 7765 050	3	Dust bag 3 pcs.	7319519618464
5	140 8330 020	1	Panel, without cord.	7319519620054
5B	140 6676 060	1	Cord set to panel AU-plug	7319519611168
5B	140 6423 360	1	Cord set to panel UK-plug	7319519606997
5B	140 6423 300	1	Cord set to panel EU-plug	7319519502640
6	140 8351 010	1	Bracket	7319519413113
7	724 1372 010	1	Screw Fzb M6x25	7319519459050
8	140 8377 010	1	Rubber insert	7319519413717
10	140 8337 000	1	Decal, arrow	7319519619508
11	140 8339 000	1	Filter support	7319519619904
12	140 6954 000	1	Inlet adapter	7319519403824
13	140 6952 020	1	Inlet	7319519491777
14	140 9137 010	1	Gasket	7319519418286
15	140 7730 030	1	Container	7319519606256
16	140 7748 500	1	Sack filter kit, with filter support	7319519633016
17	82114000	1	Valve house	7319519493214
18	140 7780 000	1	Spring	7319519503388
19	82113800	1	Valve cone	7319519493207
20	82113700	1	Gasket	7319519493191
21	140 9214 220	1	Screw PT 3x16	7319519602203
22	140 7372 010	1	Rubber foot	7319519611472
23	140 7731 090	1	Motor chassis	7319519606287
24	140 8376 020	1	Protection Plug, grey	7319519630213
25	740 4202 000	1	O-ring 4.1x 1.6	7319519480627
26	140 7758 000	1	Membrane	7319519492330
27	140 7820 000	1	Snap rivet 4.0x5.0	7319519603095
28	140 7762 040	1	Panel CV 793 Palace	7319519606355
29	140 8308 510	1	PCB, Premium 220-240V	7319519624540
29	140 8308 520	1	PCB, Premium 120V	
30	140 5681 040	1	Hose 5x3x850 mm	7319519601053
31	140 5681 000	1	Hose 5x3x 200 mm	7319519389012
32	140 7040 120	1	Wire cpl.	7319519405187
33	140 3894 500	1	Thermo protector	7319519631715
34	735 2136 800	1	Tooth plate connector	7319519460711
35	140 9214 040	1	Screw PTK Torx 40x14 FZB	7319519418606
36	140 7733 010	1	Motor chassis	7319519606270
37	140 7093 020	1	Filter, inlet	7319519504828
38	140 7735 000	1	IP-cover	7319519491258
39	140 9893 000	1	Emblem Nilfisk	7319519629965
40	140 9214 040	1	Screw PTK Torx 40x14 FZB	7319519418606
42	140 7093 030	1	Filter, inlet	7319519504811
43	140 7209 000	1	Extract damping	7319519472318
44	140 6909 000	1	Gasket	7319519403473
45	140 7040 080	1	Wire L=145	7319519405156

>> Means: New or changed ref. number or/and changed/new specifications

NILFISK